

# OWNER'S MANUAL

## HYDRAULIC DOCK LEVELER



ACTUAL PRODUCT MAY NOT APPEAR EXACTLY AS SHOWN



### WARNING

Do not operate or service this product unless you have read and fully understand the entire contents of this manual. Failure to do so may result in property damage, bodily injury or death.

**BLUE GIANT**<sup>®</sup>

**TABLE OF CONTENTS**

<b>1.0 ABOUT THE HYDRAULIC DOCK LEVELER</b>	<b>4</b>
1.1 OWNER'S PURCHASE RECORD	4
<b>2.0 INTRODUCTION</b>	<b>5</b>
2.1 WARRANTY INFORMATION	5
2.2 EXCLUSION OF LIABILITY	5
2.3 MANUFACTURER'S NOTE	5
2.4 OWNER'S RESPONSIBILITY	6
<b>3.0 OWNER'S MANUAL SAFETY MESSAGE COLOR IDENTIFICATION</b>	<b>7</b>
3.1 OPERATIONAL SAFETY WARNINGS	7
<b>4.0 LOCKOUT / TAGOUT PROCEDURE AND RULES</b>	<b>8</b>
<b>5.0 CONTROL STATION OPERATION</b>	<b>9</b>
5.1 BUTTON FUNCTION	9
<b>6.0 DOCK STRUT SET-UP</b>	<b>10</b>
6.1 ENGAGING THE DOCK STRUT	10
6.2 DISENGAGING THE DOCK STRUT	10
<b>7.0 MAINTENANCE</b>	<b>11</b>
7.1 PLANNED MAINTENANCE PROGRAM (PMP)	11
7.2 OPERATOR DAILY INSPECTION	11
7.3 ROUTINE SERVICING AND MAINTENANCE	11
7.4 PLANNED MAINTENANCE PROGRAM INTERVALS	11
7.5 MAINTENANCE SEQUENCE	11
7.6 DAILY MAINTENANCE PROCEDURES (DMP) CHECKLIST - HYDRAULIC DOCK LEVELER	12
<b>8.0 OPERATING INSTRUCTIONS</b>	<b>13</b>
8.1 FUNCTIONAL DESCRIPTION	13
8.2 DEPLOYING THE DOCK	14
8.3 STORING THE DOCK LEVELER	14
8.4 BELOW LEVEL / END LOADING	15
<b>9.0 DECAL IDENTIFICATION AND LOCATION</b>	<b>16</b>
<b>10.0 EQUIPMENT COMPONENT ILLUSTRATIONS</b>	<b>17</b>
10.1 COMPONENTS AS SHIPPED CHECKLIST	17
10.2 MECHANICAL ASSEMBLY - HYDRAULIC DOCK LEVELER	18
10.3 MECHANICAL ASSEMBLY - HYDRAULIC DOCK LEVELER	19
10.4 DECK	20
10.5 LIP SHAFT	20
10.6 LIP	21
10.7 LIP - DOCK LIP BARRIER	22
10.8 FRAME	23
10.9 STANDARD PIT DIMENSIONS	24

**TABLE OF CONTENTS CONT'D.**

<b>11.0 OWERPACK PART IDENTIFCATION</b>	<b>25</b>
<b>12.0 DOCK LEVELER TROUBLESHOOTING</b>	<b>26</b>
<b>13.0 DOCK LEVELER TROUBLESHOOTING CONT'D</b>	<b>27</b>
<b>14.0 OPTIONAL EXTERIOR TRAFFIC LIGHT / MIRROR IMAGE SIGN</b>	<b>28</b>
14.1 OPTIONAL HOME INTERLOCK SENSOR	28
<b>1.0 WIRING DIAGRAMS</b>	<b>28</b>
15.1 SP1 WIRING DIAGRAM - 110-130V SINGLE PHASE	29
15.2 SP1 WIRING DIAGRAM - 208-240V SINGLE PHASE	30

### 1.0 ABOUT THE HYDRAULIC DOCK LEVELER

The Blue Giant Hydraulic Dock Leveler is a high performance system. High tensile enhanced J-beams are welded at dynamic impact points on the underside of the deck, preventing “dishing” and providing structural integrity. Hydraulic components increase operating efficiency and reduce maintenance requirements.

High tensile enhanced J-Beams are welded at dynamic impact points on the underside of the deck, preventing "dishing" and providing structural integrity.

### 1.1 OWNER'S PURCHASE RECORD

OWNER'S PURCHASE RECORD	
Please record information for future inquiries and to validate warranty. (See Section 2.1 "Warranty Information" for warranty validation)	
<b>Dealer:</b>	<b>Date in Service:</b>
	<b>Number of Units:</b>
<b>Serial Number:</b>	<b>Door #:</b>
<b>Serial Number:</b>	<b>Door #:</b>
<b>Serial Number:</b>	<b>Door #:</b>
<b>Serial Number:</b>	<b>Door #:</b>
<b>Serial Number:</b>	<b>Door #:</b>
<b>Serial Number:</b>	<b>Door #:</b>
<b>Serial Number:</b>	<b>Door #:</b>
<b>Serial Number:</b>	<b>Door #:</b>
<b>Serial Number:</b>	<b>Door #:</b>
<b>Serial Number:</b>	<b>Door #:</b>
<b>Serial Number:</b>	<b>Door #:</b>
<b>Serial Number:</b>	<b>Door #:</b>

The manufacturer offers a full line of dock levelers, dock safety equipment, accessories, ergonomic and scissor lift equipment, seals and shelters, and industrial trucks. Concurrent with a continuing product improvement program, specifications are subject to change without notice (See Section 2.2 "Exclusion of Liability" of this manual). Please contact the manufacturer for latest information. Some features illustrated may be optional in certain market areas.

<b>NOTICE</b>
See Section 9.0 "Decal Identification and Location" item #5 for serial number location.

## 2.0 INTRODUCTION

The following is a quick reference to important procedures that must be followed while using the Loading Dock Equipment. It is not intended to cover, or suggest that it does cover, all procedures necessary to ensure safe operation. All operators should be aware of and abide by all workplace safety regulations applicable to the operation of the Loading Dock. These laws and regulations include but are not limited to:

- The Occupational Safety and Health Act
- Canada Occupational Health and Safety Regulations
- Occupational Safety and Health Acts for Individual States (USA)

For additional information on these regulations as well as industry standards that may apply to this product, please contact:



American National Standards Institute (ANSI)  
1430 Broadway  
New York, NY 10018  
Telephone: 212.642.4900  
www.ansi.org

Also a member of:



Loading Dock Equipment Manufacturers  
A Product Section of Material Handling Industry of America  
A Division of Material Handling Industry  
8720 Red Oak Blvd, Suite 201  
Charlotte, NC, 28217-3992  
Telephone: 704.676.1190  
www.mhi.org/lodem

## 2.1 WARRANTY INFORMATION

Thank you for purchasing Blue Giant products. We appreciate your business, and are confident that our product will serve you for many years to come. In the event that you experience a problem with our product, our Customer Support Team is here to support the Blue Giant Product(s) that you have purchased.

To validate warranty on recently purchased equipment, please complete and submit your information with our on-line Warranty Registration at [www.BlueGiant.com](http://www.BlueGiant.com).

For more information about Blue Giant Customer Support, please contact your local Blue Giant Equipment dealer, representative or authorized partner near you. You may also visit [www.BlueGiant.com](http://www.BlueGiant.com) or phone 1.905.457.3900.

### DEALER INFORMATION

Name: \_\_\_\_\_

Contact: \_\_\_\_\_

Telephone: \_\_\_\_\_

\* **NOTE** that failure to validate warranty at the time of receipt can seriously effect the outcome of any claim.

## 2.2 EXCLUSION OF LIABILITY

The manufacturer assumes no liability for damage or injury to persons or property which occur as a result of defects or faults in or incorrect use of the Loading Dock Equipment. The manufacturer also assumes no liability for lost profits, operating downtimes, or similar indirect losses incurred by the purchaser. Injury to third parties, irrespective of its nature, is not subject to compensation.

The manufacturer reserves the right to make changes at any time to the modules, components, and accessories, concurrent with its continuing product improvements and development program. Specifications, operating instructions, and illustrations included in this manual are subject to change without notice. Please contact manufacturer for the latest information.

## 2.3 MANUFACTURER'S NOTE

The dock equipment has been carefully inspected and tested at the manufacturer's plant prior to shipment, but should be checked upon receipt for transport damage. Any observed transport damage is to be listed on the signed copy of the freight document. Notify the freight forwarder of any damage **WITHIN 48 HOURS**.

## 2.4 OWNER'S RESPONSIBILITY

1. The owner should recognize the inherent danger of the interface between the dock and the freight carrier. The owner should, therefore, train and instruct operators in the safe use of the dock equipment and accessories in accordance with the manufacturer's recommendations.
2. The owner should thoroughly familiarize themselves with the following procedures and specifications, and request immediate replacement of all manufacturer-supplied documents that are missing, damaged, or otherwise illegible. Below is a list of Best Practices for dock equipment usage and maintenance.
  - Commissioning instructions
  - Operating instructions
  - Daily maintenance procedures checklist
  - Inspections procedures
  - Recommended spare parts lists

Upon receipt of any newly purchased dock equipment, the owner shall verify the presence of owner's manuals, operating placards, and any other documentation necessary for training dock personnel how to use the equipment safely and effectively.
3. All Blue Giant dock equipment should undergo regularly scheduled planned maintenance. Maintenance requirements will vary according to usage frequency and application, so the owner shall consult with their authorized Blue Giant distributor for schedule recommendation. Written records of the performance of these procedures should be kept as per warranty requirements.
4. Dock equipment that is structurally damaged, experiencing performance irregularities, or has been potentially compromised shall be removed from service until a trained and authorized manufacturer's representative can conduct an inspection and perform any necessary repairs.
5. As with any piece of machinery, dock equipment requires routine maintenance, lubrication, and adjustments. Recommended procedures are itemized in the Planned Maintenance Program (PMP) checklist included in installation and technical manuals. It is recommended that for anything other than the basic maintenance procedures outlined in this manual, you contact your local Blue Giant representative.
6. The owner shall ensure that all name plates and safety labels are in place and legible, and that the appropriate manuals are provided to authorized users. Replacement name plates, safety labels, and manuals are available through the Blue Giant Aftermarket Department. See "Decal Identification and Location" section in this manual for more information.
7. The owner or a trained and authorized representative shall verify that all freight carrier brakes have been applied and a vehicle restraint and/or wheel chocks properly engaged before cross-docking procedures begin. For safety reasons trailers must be held securely in place to avoid accidental separation from the loading dock.
8. Unless specifically agreed to in writing by Blue Giant Equipment Corporation at the time of order (and prior to manufacture), all Blue Giant Dock equipment is sold as a complete offering and must not be altered or added to in any manner (which includes configuration and function) without written permission from an authorized manufacturer's representative. These changes shall also satisfy all safety recommendations of the original equipment manufacturer for the particular application of the dock equipment.
9. If, at the request of the owner, Blue Giant does not supply all or some of the dock equipment power unit and/or control panel components, the owner shall assume responsibility for any and all operational and safety issues associated with the resulting configuration.
10. The owner must adhere to the load classification information provided on the product serial plate. Failure to do so will void product warranty.

### 3.0 OWNER'S MANUAL SAFETY MESSAGE COLOR IDENTIFICATION

This manual includes color-coded safety messages that clarify instructions and specify areas where potential hazard exists. To prevent the possibility of equipment damage and serious injury or death, please observe strictly the instructions and warnings contained in the messages. If warning decals become damaged or missing, replace them immediately. Avoid accidents by recognizing dangerous procedures or situations before they occur.


 <b>DANGER</b>
Serious injury or death will likely occur if the instructions are not followed.

<b>NOTICE</b>
Procedures marked important must be followed in order to prevent damage to machinery.


 <b>WARNING</b>
Serious injury or death may occur if the instructions are not followed.


 <b>CAUTION</b>
Instructions marked caution concern safe operating procedure. Failure to comply may result in personal injury.

### 3.1 OPERATIONAL SAFETY WARNINGS

 <b>DANGER</b>
<ol style="list-style-type: none"> <li>1. Do not enter the pit area below the dock leveler.</li> <li>2. <b>BEFORE BEGINNING ANY SERVICE PROCEDURES:</b> <ul style="list-style-type: none"> <li>– Follow all lockout / tagout procedures.</li> </ul> </li> <li>3. Never operate a broken or damaged dock leveler. Have repairs done immediately by a qualified service technician.</li> <li>4. Always secure and center loads on the forklifts. Loose or unbalanced loads are dangerous.</li> </ol>

<b>NOTICE</b>
<ol style="list-style-type: none"> <li>1. Do not ground welding equipment to any electrical components.</li> <li>2. Do not attach welder as ground to leveler platform when welding on base frame assembly. Attach welder ground to base frame assembly only.</li> <li>3. Always keep the work area clean and free of litter.</li> <li>4. Always clean all side openings of dirt and debris.</li> <li>5. Always clean all dirt and debris from the lip hinge.</li> <li>6. Always clean up dry and liquid spills immediately after they occur.</li> <li>7. Always maintain proper lighting in the work area.</li> <li>8. If a procedure is not clearly defined in this manual, contact your authorized Service Representative.</li> </ol>


 <b>WARNING</b>
<ol style="list-style-type: none"> <li>1. The upper hinge point is a hazardous pinch point. Do not use fingers or hands to remove foreign materials.</li> <li>2. Post safety warnings and barricade working area at dock level and at ground level to prevent unauthorized use of the leveler during maintenance/service.</li> <li>3. Never leave the dock leveler unattended in the raised position.</li> <li>4. Always make sure that the lip is seated inside the night lock after putting the dock in the parked position.</li> <li>5. Never leave loads sitting on the dock leveler.</li> <li>6. Do not attempt to raise the dock leveler if someone is standing on it.</li> <li>7. Do not use the dock leveler if the lip's full width is not fully supported by the vehicle load bed.</li> <li>8. Do not operate the dock leveler beyond its rated capacity.</li> <li>9. Do not drive or walk onto the truck until it is parked against the dock bumpers and the wheels are chocked, or the vehicle restraint has been fully engaged.</li> <li>10. Never attempt to lift or hold the lip out by hand. Serious personal injury could occur.</li> <li>11. Never remove the wheel chocks until loading/ unloading is finished and the truck driver has been given permission to depart.</li> </ol>

 <b>CAUTION</b>
<ol style="list-style-type: none"> <li>1. Only trained personnel should operate or service this equipment.</li> <li>2. Do not operate the dock equipment until the transport vehicle is parked against the dock bumpers.</li> <li>3. Always park the dock equipment after use.</li> <li>4. Conduct routine inspections and maintenance. Failure to do so could cause equipment damage and or personal injury.</li> <li>5. Always call your authorized service representative or manufacturer immediately if a malfunction occurs.</li> </ol>

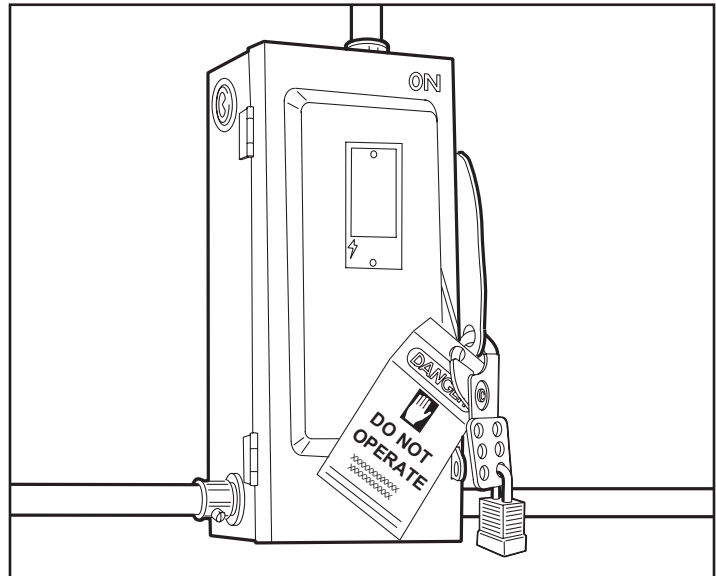
#### 4.0 LOCKOUT / TAGOUT PROCEDURE AND RULES

In accordance with the rules and regulations of the Occupational Safety and Health Administration (OSHA), all affected employees must be notified that the machine or equipment will be shut down and locked out to perform repair or maintenance work. The work area must be checked to ensure that all personnel have been removed or safely repositioned. The machine or equipment power supply shall be locked in the OFF position or disconnected from the energy source. Blue Giant strongly recommends that only OSHA-approved lockout devices and procedures be utilized.

The energy isolating device must bear a prominent warning tag indicating that work is being done on the equipment and the name of the authorized employee responsible for the lockout. It is mandatory that tagout notices not be susceptible to deterioration or illegibility due to weather conditions or exposure to chemicals and moisture.

 **WARNING**

Always lockout and tagout any power source before performing any work on any electrical devices or electrical controls according to OSHA regulations and approved local electrical codes.



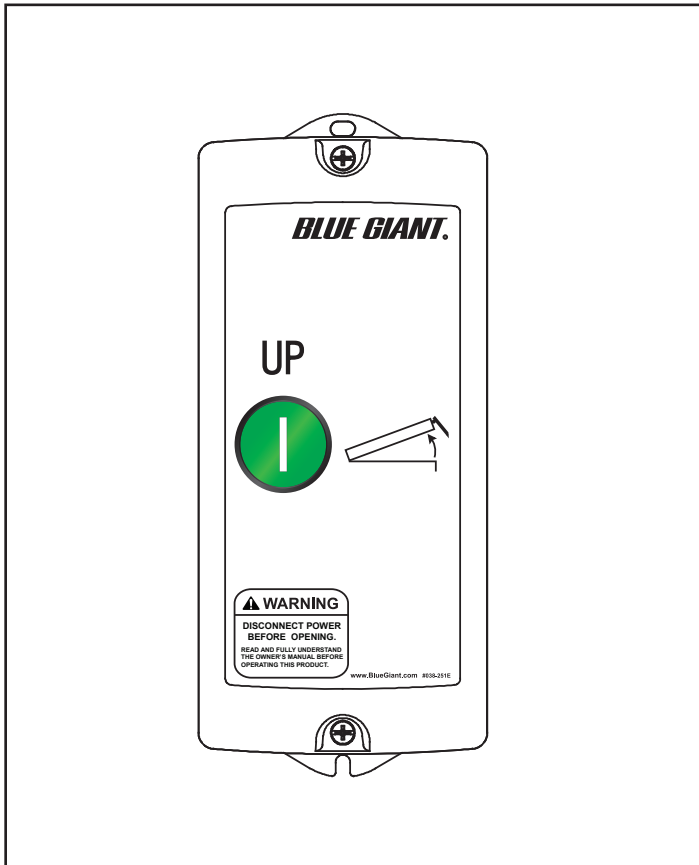
Approved way to lockout / tagout.



## 5.0 CONTROL STATION OPERATION

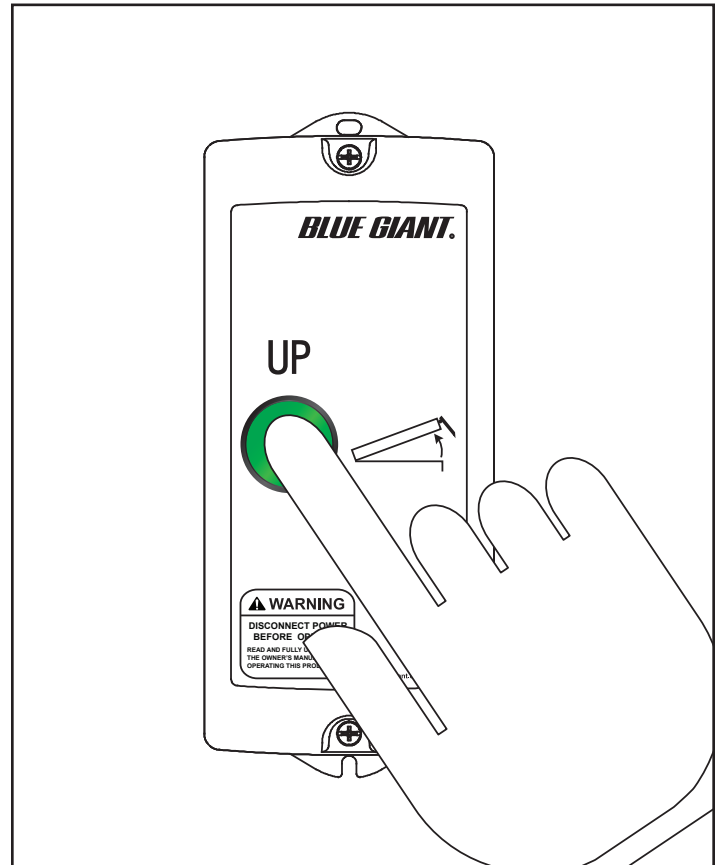
### INDEPENDENT TYPE CONTROL STATION

Controls one individual dock leveler only, equipped with a constant-pressure 'UP' button.



## 5.1 BUTTON FUNCTION

'UP' button activates the dock leveler when pressed and held.



**Note:** Contactors come standard with control box.

### CAUTION

For safety reasons, the operator's view of the moving dock leveler must not be obstructed at any time.

Potential obstructions include but are not limited to the dock wall, curtains, and stacked cargo. Ensure that the operator's field of vision is clear throughout the dock leveler operating cycle.

## 6.0 DOCK STRUT SET-UP

**⚠ DANGER**

Failure to properly secure the dock leveler deck prior to working underneath it may result in property damage, bodily injury, or death. Engage the Dock Strut AND Service Stand first. If the device cannot be successfully engaged, contact your authorized service representative.

**⚠ WARNING**

Post safety warnings and barricade work area at dock and ground level. Notify all affected personnel that work is being performed on the unit and follow proper lock-out procedure. Ensure that power to the unit has been completely cut off and cannot be turned back on accidentally.

### 6.1 ENGAGING THE DOCK STRUT

**⚠ WARNING**

Head protection and other applicable PPE is recommended when working under or around the raised deck.

**⚠ WARNING**

Install dock strut and secondary service stand only when the unit is fully raised and deployed.

**⚠ CAUTION**

Use of a service stand and hard hat while performing this step is required.

**⚠ WARNING**

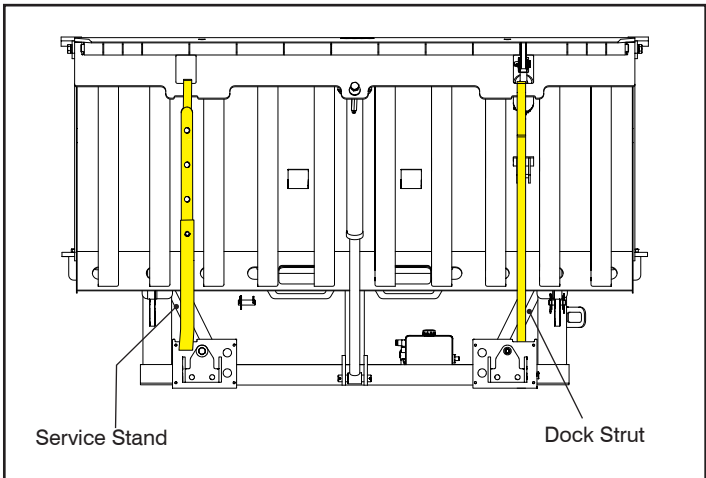
Use of a service stand (Part #796-710) in conjunction with the dock strut is required when working under the leveler.

This dock is equipped with a one piece dock strut that must be used, in conjunction with a service stand, during under-dock inspections or repairs / maintenance. The V-shape ensures safe headboard and lip support.

To apply the dock strut, one person raises the deck while another puts the strut in place.

It is recommended that a retrieval tool be used when retrieving the dock strut from its storage position beneath the dock.

**NOTE:** It is recommended that this step be performed with assistance.



Engaged Service Stand (part # 26-011895) and Dock Strut (part # 796-710).

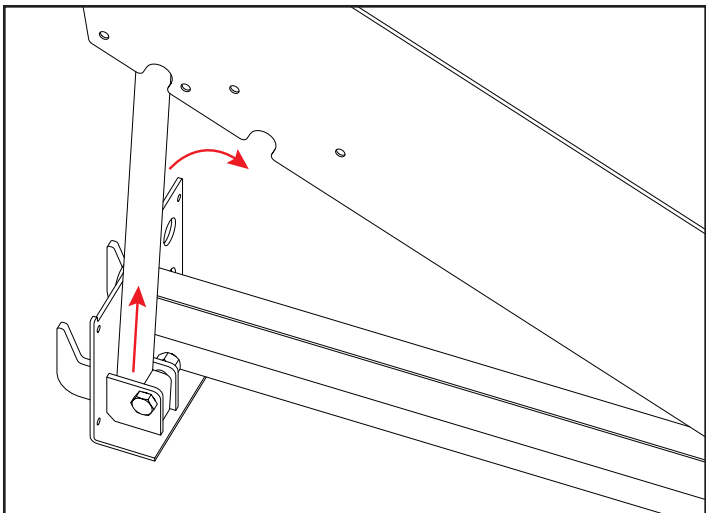
### 6.2 DISENGAGING THE DOCK STRUT

**⚠ CAUTION**

Remove the service stand only AFTER disengaging the dock strut (or equivalent)

After verifying that it is safe to disengage the dock strut, pull upwards on the dock strut and lower gently into the storage position.

Do not stand in the pathway of the dock leveler during the disengagement process in case the dock falls unexpectedly.



## 7.0 MAINTENANCE



### WARNING

Do not operate and/or service this dock leveler until you have read and understood all of the safety information and instructions contained herein and on the dock leveler.

Do not work under or around dock leveler without first placing adequate barriers to positively prevent vehicle traffic from entering the work area.

Follow proper lock-out/tag-out procedures.

Keep hands and feet clear of dock leveler pinch points and wear appropriate safety attire – safety glasses, gloves and work boots.

The dock strut and service stand must be in place before commencing maintenance procedures.

### 7.1 PLANNED MAINTENANCE PROGRAM (PMP)

In addition to the Daily Maintenance Procedures (DMP), the manufacturer recommends (and local government regulations may require) that a Planned Maintenance Program (PMP) and safety inspection program be performed by a trained and authorized service technician on a regular basis to ensure the equipment is in safe operating condition. The PMP will provide an opportunity to make a thorough inspection of the safety and operating condition of the dock leveler. Necessary adjustments and repairs can be done during the PMP, which will increase the life of components and reduce unscheduled downtime.

Recommended procedures for a periodic planned maintenance program that covers inspections, operational checks, cleaning, lubrication, and minor adjustments are outlined in the Installation and Technical manual for this product.

An authorized dealer or distributor is prepared to assist with a planned maintenance program by offering trained service personnel with expertise in dock leveler maintenance requirements.

### 7.2 OPERATOR DAILY INSPECTION

The dock leveler should always be examined by the operator PRIOR TO ANY USE to verify that it is safe to operate.

The manufacturer recommends making multiple photocopies of the DMP Checklist (See Section 6.6). The operator should fill out this form to keep a daily record of operation and maintenance issues.

### 7.3 ROUTINE SERVICING AND MAINTENANCE

Regular maintenance and care of the dock leveler is very important for cost and operation efficiency and more importantly; operator safety. A faulty dock leveler is a potential source of danger to the operator, and to other personnel working near it. As with all quality equipment, keep the dock leveler in good operating condition by following the recommended schedule of maintenance. Failure to properly maintain or operate the dock leveler within its rated load classification can void the manufacturer warranty.

### 7.4 PLANNED MAINTENANCE PROGRAM INTERVALS

Arrange for a qualified dock leveler repair technician to perform regularly scheduled planned maintenance on your dock leveler every three months for single shift operations or monthly for multi-shift operations. Call your authorized manufacturer / dealer for further details.

### 7.5 MAINTENANCE SEQUENCE

1. Cleaning, including pit area
2. Visual inspection of all components
3. Lubrication, as required (by a trained service technician only)
4. Test operate all functions
5. Adjustments, if required (by a trained service technician only)
6. Check for missing or damaged dock bumpers
7. Record inspection details and findings for owners' files

**7.6 DAILY MAINTENANCE PROCEDURES (DMP) CHECKLIST - HYDRAULIC DOCK LEVELER**

**INSPECTED BY:** \_\_\_\_\_ **DATE:** \_\_\_\_\_

**SERIAL #:** \_\_\_\_\_ **DOOR #:** \_\_\_\_\_

Forward this checklist to the person responsible for dock equipment maintenance. See Section 1.1 "Owner's Purchase Record" for Date in Service.

**INSTRUCTIONS:** Indicate "OK for USE" with a check mark ✓ in the appropriate box of each inspection point. Indicate "NOT OK for USE" with an x in the appropriate box of each inspection point.

**EVERY DAY (MAY BE PERFORMED BY OWNER OR ATTENDANT):**

- Remove any debris that may have accumulated around the dock equipment
- Verify complication-free operation of the dock equipment and the interior and exterior lights system (if installed)
- Verify that outside signage is present and legible (if equipped)
- Remove any potential trip hazards from around the dock area
- Verify that dock bumpers/risers/extensions are in working condition (if equipped)
- Check curb angles for irregularities (e.g. concrete cracks)
- Verify that the overhead door is functioning correctly (if equipped)
- Verify that instructional caution and danger labels are present and legible on the product. Replace if necessary
- Verify that vehicle restraint or wheel chocks at minimum are present and in working condition

**PHOTOCOPY THIS CHECKLIST AND FILL OUT REGULARLY FOR YOUR RECORDS.**

**Explain faults briefly in the space provided below:**

---


---


---


---

---

---

 <b>DANGER</b>
When repairing or conducting maintenance procedures on electrical components, perform lockout / tagout steps according to OSHA regulations and approved electrical codes.

 <b>DANGER</b>
Prior to installation, place adequate barriers to prevent unauthorized personnel and vehicle traffic from entering the work area.

 <b>WARNING</b>
All repairs and maintenance work are to be conducted by trained and authorized personnel ONLY.

**8.0 OPERATING INSTRUCTIONS**

WARNING

Do not operate this leveler unless you have been trained and authorized to do so, and have read and understood all of the safety information and instructions contained herein.

Do not operate the dock leveler beyond its rated capacity.

Do not operate this leveler until you have checked its condition. Report the need for repairs to your supervisor immediately and do not operate the unit until repairs are made. Neglect may cause a minor repair to become a major service problem and cause the leveler to become unsafe.

Never try to lift or move any part of the dock leveler manually.

Do not drive on the leveler unless the lip is securely on the truck bed and has a minimum of 4" (102mm) overlap on its surface.

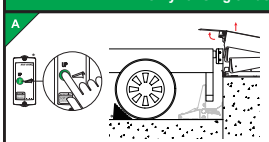
Do not exceed 4 mph when driving over the dock leveler.

Do not drive over edges of the leveler and / or dock bumper blocks (bumpers blocks are not structural).

Confirm brakes have been set and air has been removed from the air-ride suspension (if applicable).

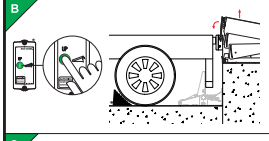
**OPERATING INSTRUCTIONS**  
Only for Single Push Button Dock Levelers

**A DEPLOYING THE DOCK LEVELER**



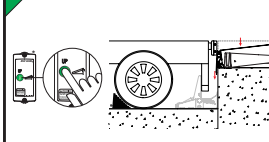
1. Raise the leveler by pressing the 'UP' button. Continue holding the 'UP' button until the leveler is in its fully raised position, at which time the lip will deploy.
2. Release the 'UP' button once the lip has fully deployed. The leveler will then descend with the deployed lip on the vehicle load bed. When the leveler has fully deployed on the load bed, loading and unloading may commence.

**B STORING THE DOCK LEVELER**



1. To store the leveler, press the 'UP' button. The leveler will raise and the lip will retract.
2. When the lip has fully retracted, release the button. The leveler will lower into the stored position with the lip in the home position.

**C BELOW LEVEL / END LOADING**



**A. HYDRAULIC LEVELER ONLY:** Raise the dock leveler by pressing the 'UP' button. Continue holding the 'UP' button until the dock is in its fully raised position. Release the 'UP' button once the lip has partially deployed (2-3") and let the leveler lower to the below level position, with the lip hanging between the dock face and the truck bed.

**B. AIRBAG LEVELER ONLY:** Raise the dock leveler by pressing the 'UP' button. Release the 'UP' button when the lip clears the right lock by 6-10". While the dock is lowering, pull the fail-safe disengaging chain on the deck to partially extend the lip and to lower to the below level position.

**⚠ DANGER**

1. Only trained and authorized personnel may operate this dock leveler.
2. Read, understand, and follow the instructions on this document.
3. Prior to using the dock leveler:
  - Ensure that the dock leveler is free and clear of all debris, snow and ice.
  - Ensure that all personnel near the dock leveler are aware that it is being operated.
  - Operate the dock leveler through one complete cycle to confirm that it is functioning properly. If the dock leveler is equipped with a communications package, confirm that the lights are working as required.
  - Inspect unit for signs of structural damage or mechanical malfunction. If damage is observed or the restraint fails to operate properly, remove it from service and notify maintenance personnel immediately.
4. When using the dock leveler:
  - Confirm that the transport vehicle has been properly restrained.
  - Keep hands and feet clear of pinch points.
  - If the dock leveler is equipped with a light communication package, lead and unload on green only.
  - Do not exceed the rated capacity as indicated on the serial plate.
  - Do not leave equipment or material unattended on the dock leveler.
  - Keep a safe distance from both edges.
  - If dock leveler fails to operate as outlined in the accompanying manual's operating instructions, refer to the Troubleshooting section.
5. If service or maintenance is required:
  - Only authorized service personnel shall maintain or service the unit.

APPLIES TO ALL DOCK LEVELERS

BLUE GIANI, www.BlueGiant.com 038-757E

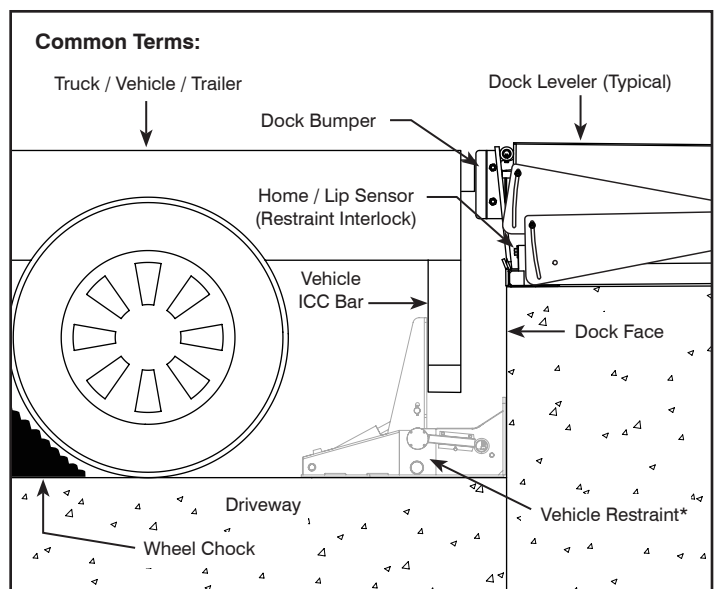
Single Push Button Dock Leveler operation placard—part # 038-757E.

**8.1 FUNCTIONAL DESCRIPTION**

The U-Series hydraulic dock leveler serves as a bridge between a loading dock floor and the load bed of a transport vehicle. The leveler's upper deck plate, complete with a hinged, vertically hanging lip, is in a shallow pit at the edge of the dock, flush with the dock's edge and the floor surface.

The rear of a transport vehicle is parked and restrained in place against the outer wall of the loading dock, in working alignment with the dock leveler. The dock attendant maintains pressure on a touch button to raise the front of the deck. The hinged lip plate raises at the same time, its leading edge swinging out horizontally over the rear of the transport vehicle once the deck reaches its fully raised position. The dock attendant releases the push button, causing the deck and extended lip to lower together until the lip's underside comes to rest on the load bed. A solid bridge is now formed between the dock and the truck.

Once all work is completed, the dock attendant returns the leveler to its original stored position.

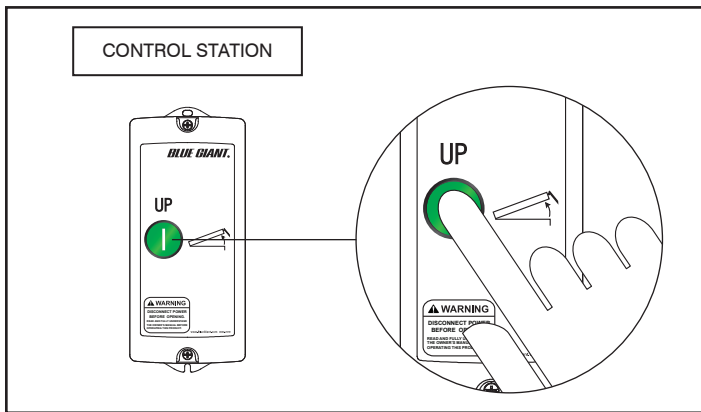
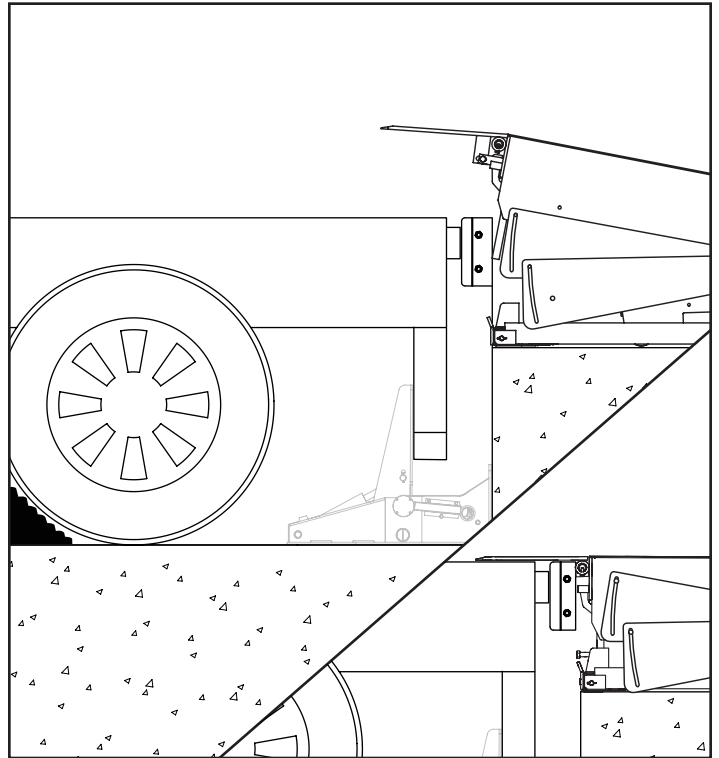


\* For Reference

## STANDARD OPERATION PROCEDURES

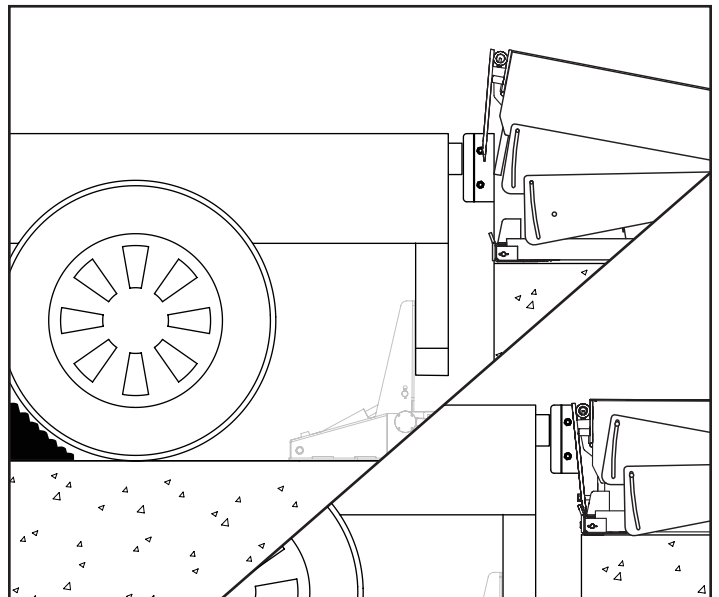
### 8.2 DEPLOYING THE DOCK LEVELER

1. Raise the dock leveler by pushing the 'UP' button. If the button is still being pressed while the dock is in its fully raised position, the lip will then deploy.
2. When the lip has fully extended, release the button and the dock leveler will descend. The dock will stop when the lip rests on the vehicle load bed.
3. After ensuring that there is a minimum overlap of 4" (102 mm) between the dock leveler lip and the truck bed, begin loading or unloading.



### 8.3 STORING THE DOCK LEVELER

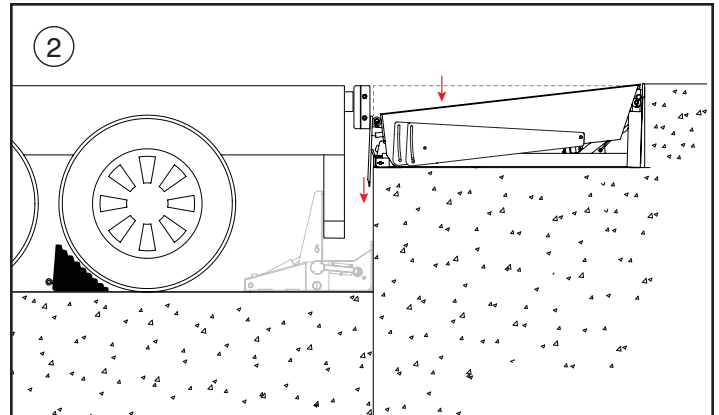
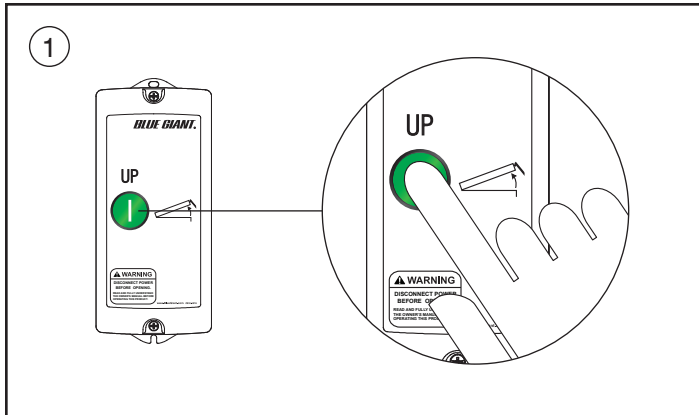
1. To store the dock leveler, press the 'UP' button. The dock will raise and the lip will retract.
2. When the lip has fully retracted, release the button. The dock will resume the stored position with the lip in the night lock.



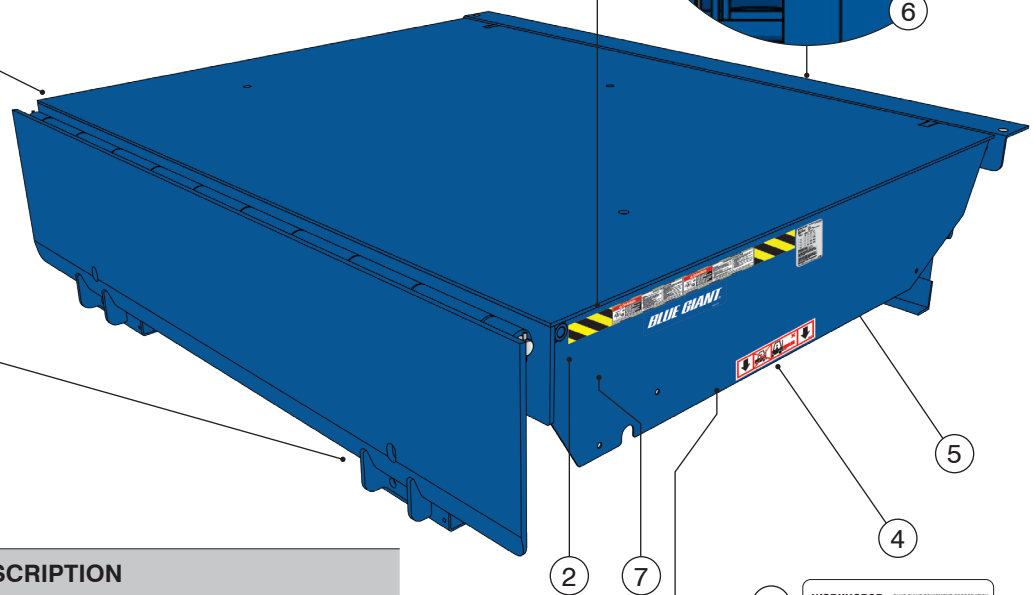
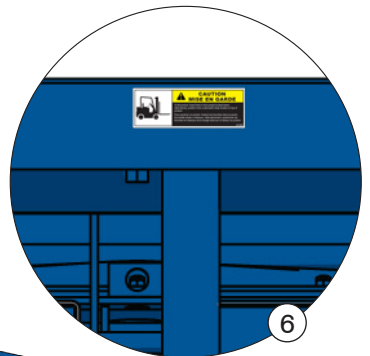
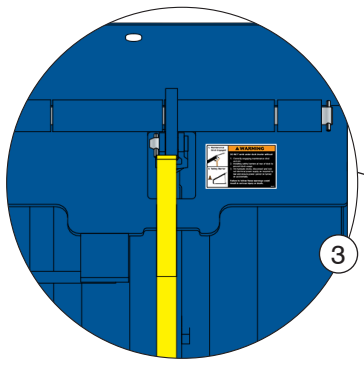
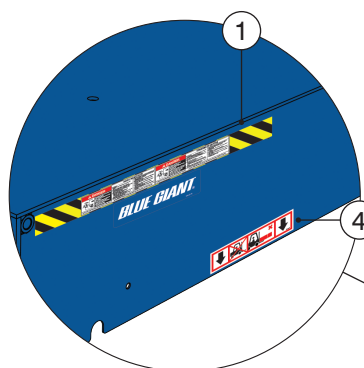
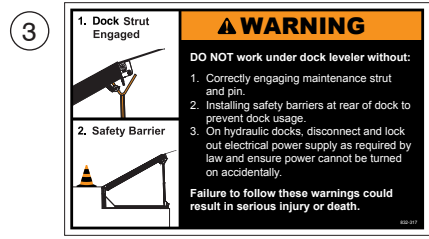
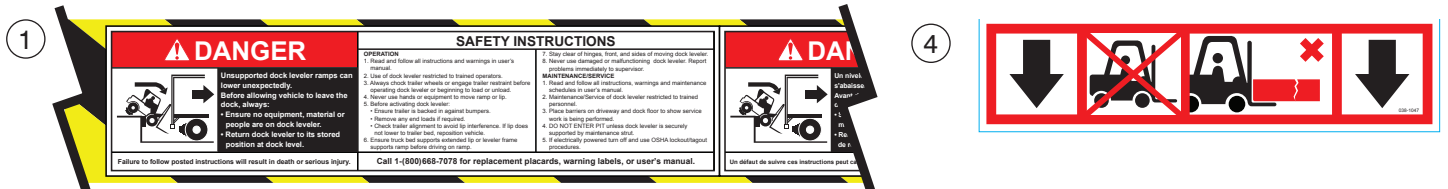
## 8.4 BELOW LEVEL / END LOADING

This section outlines dock leveler operation in situations where the lip cannot make contact with the vehicle load bed (i.e. loading or unloading the first skid or pallet from the truck when there is not enough room to extend the lip) or the truck height is below dock level.

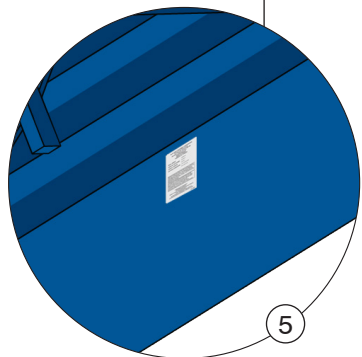
1. Raise the leveler by pressing the 'UP' button. Continue holding the 'UP' button until the dock is in its fully raised position.
2. Release the 'UP' button once the lip has partially deployed 2 - 3" and let the leveler lower to the below level position, with the lip hanging between the dock face and the truck bed.



9.0 DECAL IDENTIFICATION AND LOCATION



ITEM	QTY	PART NO.	DESCRIPTION
1	2	038-226	EF Danger Decal - Safety Instructions
			ES
2	2	038-220	EF Danger Decal - Do Not Walk on Lip
			ES
3	1	832-317	Warning Decal - Dock Strut
4	1	038-096	Warning Decal - Do Not Lift on This Side
5	2	038-1082	EF Serial Plate Decal (On interior)
			ES
6	1	038-098	Lift Caution Decal
7	1	038-017E	Blue Giant Logo Decal



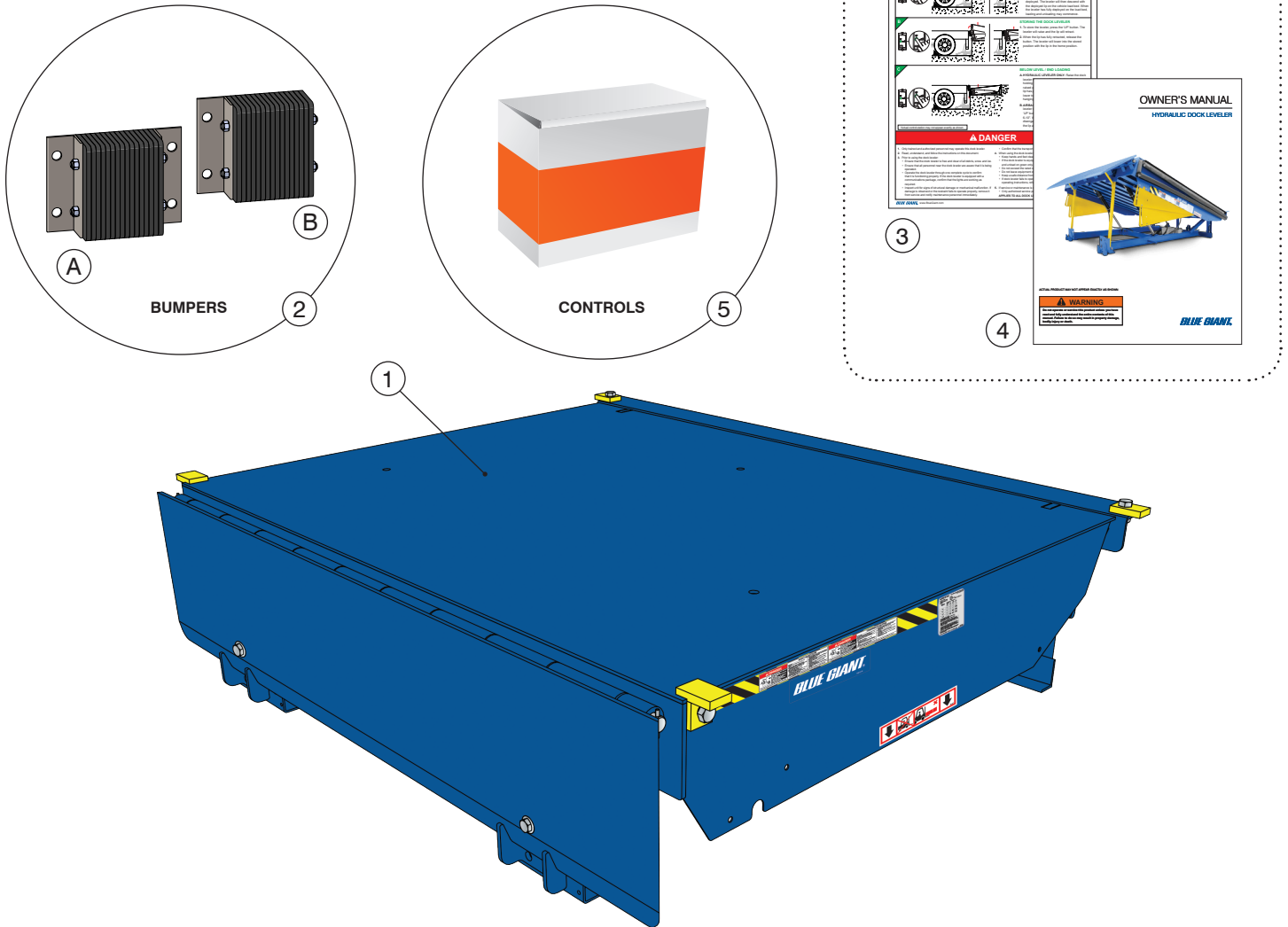
WORKHORSE		BLUE GIANT EQUIPMENT CORPORATION			
MODEL / MODELE	BT2000-41	BT2000-41	BT2000-41	BT2000-41	BT2000-41
SERIAL NO. / NO. DE SERIE					
WEIGHT / POIDS					
WEIGHT (kg) / POIDS (kg)					
CHECKS	9-16	17-24	>24		
	0-8	9-16	17-24	>24	
WEIGHT (kg) / POIDS (kg)	0-8	9-16	17-24	>24	
	<input checked="" type="checkbox"/>	<input checked="" type="checkbox"/>	<input checked="" type="checkbox"/>	<input checked="" type="checkbox"/>	<input checked="" type="checkbox"/>
	<input checked="" type="checkbox"/>	<input checked="" type="checkbox"/>	<input checked="" type="checkbox"/>	<input checked="" type="checkbox"/>	<input checked="" type="checkbox"/>
	<input checked="" type="checkbox"/>	<input checked="" type="checkbox"/>	<input checked="" type="checkbox"/>	<input checked="" type="checkbox"/>	<input checked="" type="checkbox"/>
	<input checked="" type="checkbox"/>	<input checked="" type="checkbox"/>	<input checked="" type="checkbox"/>	<input checked="" type="checkbox"/>	<input checked="" type="checkbox"/>

EF = English / French | ES = English / Spanish



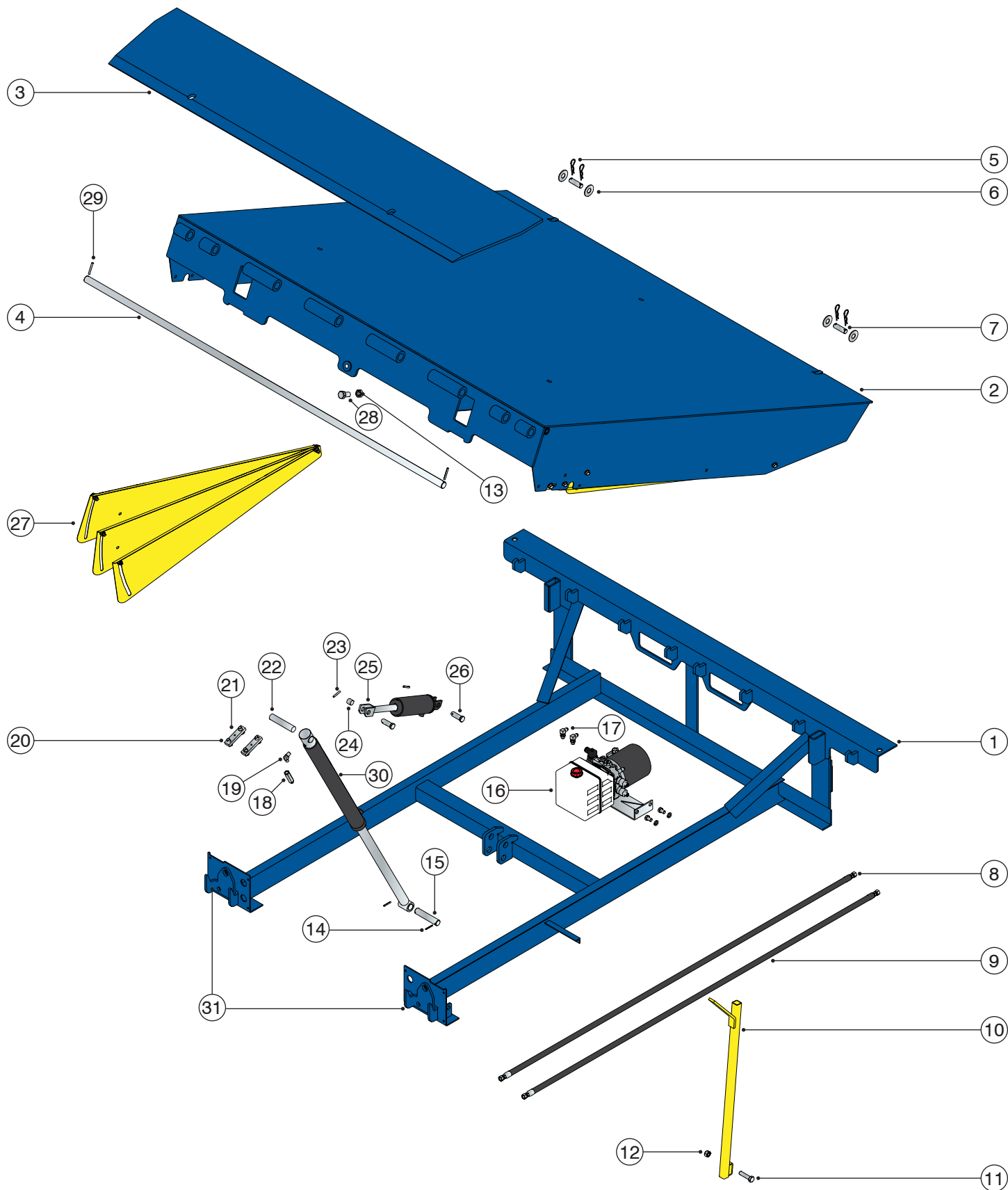
10.0 EQUIPMENT COMPONENT ILLUSTRATIONS

10.1 COMPONENTS AS SHIPPED CHECKLIST



✓	ITEM	QTY	PART NO.	DESCRIPTION	APPROX. WEIGHT	
	1	1	HXXXX-XX	Hydraulic Dock Leveler - See Section 10.5 for more information	Varies by Model	
	2	2	DB411	Laminated Bumper, Dual Flange	50 lb	23 kg
			DB411WB	Laminated Bumper, Single Flange	48 lb	22 kg
	3	1	038-757E	Operation Placard	—	—
	4	1	038-1084E	Owner's Manual (this one)	—	—
	5	1	027-006-L	SP1 110–130V / 1PH	1 lb	.45 kg

10.2 MECHANICAL ASSEMBLY - HYDRAULIC DOCK LEVELER



**10.3 MECHANICAL ASSEMBLY - HYDRAULIC DOCK LEVELER**

ITEM	QTY.	PART NO.	DESCRIPTION
1	1	See Section 10.8	Frame
2	1	See Section 10.5	Deck
3	1	See Section 10.6	Lip
4	1	See Section 10.7	Lip Shaft
5	4	013-029	Cotter Pin 7/8 x 3 1/4
6	4	012-214	Flat Washer 3/4"
7	2	26-005610	Pin
8	4	034-636	Fitting
9	2	090-838-0780	Hose 78" LG
10	1	2000659	Dock Strut
11	3	011-178	Hex Head Cap Screw 5/8-11x2.5x1.5
12	1	011-647	Lock Nut
13	1	010-530	Hex Jam Nut 3/4"
14	2	013-127	Spring Pin 3/6" x 1 1/2"
15	1	2000263	Pivot Pin
16	1	See Section 11.0	Hydraulic Powerpack
17	2	034-585	90 Deg. Elbow Fitting
18	1	033-661	Velocity Fuse
19	2	034-515	Fitting
20	4	011-545	Hex Head Cap Screw
21	2	2002286	Cover Plate
22	1	090-189-0050	Cylinder Pins 1 x 5
23	2	013-625	Spring Pin 1/4" x 1/2"
24	1	018-001	3/4" Bushing
25	1	788-599-1-P	Hydraulic Lip Cylinder
26	2	107-196	Cylinder Pins 3/4" x 1 5/8"
27	2	26-013420	Toe Guards 6'
	2	26-013332	Toe Guards 8'
	2	26-013571	Toe Guards 10'
28	1	010-060	Hex Cap Screw 3/4" x 2"
29	2	013-012	Spring Pin Slotted 1/4 x 2
30	1	788-635-1P	Hydraulic Deck Cylinder
31	2	2000402	Lip Keeper

**10.4 DECK**

By size and load class

DECK SIZE (NOMINAL)	LOAD CLASS	MODEL	PART NO.
6' x 6'	Workhorse (W)	H6006W	DECK-W-H-STD-72W-63L
	Heavy (H)	H6006H	DECK-H-H-STD-72W-63L
	Super (S)	H6006S	DECK-S-H-STD-72W-63L
	Extreme (E)	H6006E	DECK-E-H-STD-72W-63L
	Ultra (U)	H6006U	DECK-U-H-STD-72W-63L
6' x 8'	Workhorse (W)	H6008W	DECK-W-H-STD-72W-87L
	Heavy (H)	H6008H	DECK-H-H-STD-72W-87L
	Super (S)	H6008S	DECK-S-H-STD-72W-87L
	Extreme (E)	H6008E	DECK-E-H-STD-72W-87L
	Ultra (U)	H6008U	DECK-U-H-STD-72W-87L
6' x 10'	Workhorse (W)	H6010W	DECK-W-H-STD-72W-111L
	Heavy (H)	H6010H	DECK-H-H-STD-72W-111L
	Super (S)	H6010S	DECK-S-H-STD-72W-111L
	Extreme (E)	H6010E	DECK-E-H-STD-72W-111L
	Ultra (U)	H6010U	DECK-U-H-STD-72W-111L
6' 6" x 6'	Workhorse (W)	H6606W	DECK-W-M-STD-78W-63L
	Heavy (H)	H6606H	DECK-H-M-STD-78W-63L
	Super (S)	H6606S	DECK-S-M-STD-78W-63L
	Extreme (E)	H6606E	DECK-E-H-STD-78W-63L
	Ultra (U)	H6606U	DECK-U-H-STD-78W-63L
6' 6" x 8'	Workhorse (W)	H6608W	DECK-W-H-STD-78W-87L
	Heavy (H)	H6608H	DECK-H-H-STD-78W-87L
	Super (S)	H6608S	DECK-S-H-STD-78W-87L
	Extreme (E)	H6608E	DECK-E-H-STD-78W-87L
	Ultra (U)	H6608U	DECK-U-H-STD-78W-87L
6' 6" x 10'	Workhorse (W)	H6610W	DECK-W-H-STD-78W-111L
	Heavy (H)	H6610H	DECK-H-H-STD-78W-111L
	Super (S)	H6610S	DECK-S-H-STD-78W-111L
	Extreme (E)	H6610E	DECK-E-H-STD-78W-111L
	Ultra (U)	H6610U	DECK-U-H-STD-78W-111L

DECK SIZE (NOMINAL)	LOAD CLASS	MODEL	PART NO.
7' x 6'	Workhorse (W)	H7006W	DECK-W-H-STD-83W-63L
	Heavy (H)	H7006H	DECK-H-H-STD-83W-63L
	Super (S)	H7006S	DECK-S-H-STD-83W-63L
	Extreme (E)	H7006E	DECK-E-H-STD-83W-63L
	Ultra (U)	H7006U	DECK-U-H-STD-83W-63L
7' x 8'	Workhorse (W)	H7008W	DECK-W-H-STD-83W-87L
	Heavy (H)	H7008H	DECK-H-H-STD-83W-87L
	Super (S)	H7008S	DECK-S-H-STD-83W-87L
	Extreme (E)	H7008E	DECK-E-H-STD-83W-87L
	Ultra (U)	H7008U	DECK-U-H-STD-83W-87L
7' x 10'	Workhorse (W)	H7010W	DECK-W-H-STD-83W-111L
	Heavy (H)	H7010H	DECK-H-H-STD-83W-111L
	Super (S)	H7010S	DECK-S-H-STD-83W-111L
	Extreme (E)	H7010E	DECK-E-H-STD-83W-111L
	Ultra (U)	H7010U	DECK-U-H-STD-83W-111L

**10.5 LIP SHAFT**

By size and load class

DECK SIZE (NOMINAL)	LOAD CLASS	PART NO.
6'	Workhorse (W)	2000456-00
	Heavy (H)	
	Super (S)	2000456-03
	Extreme (E)	
	Ultra (U)	
6' 6"	Workhorse (W)	2000456-01
	Heavy (H)	
	Super (S)	2000456-04
	Extreme (E)	
	Ultra (U)	
7'	Workhorse (W)	2000456-02
	Heavy (H)	
	Super (S)	2000456-05
	Extreme (E)	
	Ultra (U)	

**10.6 LIP**

By size and capacity

DECK WIDTH	CAPACITY	LENGTH		PART NO.
6'	Workhorse (W)	16"	406 mm	LIP-W-H-STD-FW-72W-16L
		18"	457 mm	LIP-W-H-STD-FW-72W-18L
		20"	508 mm	LIP-W-H-STD-FW-72W-20L
	Heavy (H)	16"	406 mm	LIP-H-H-STD-FW-72W-16L
		18"	457 mm	LIP-H-H-STD-FW-72W-18L
		20"	508 mm	LIP-H-H-STD-FW-72W-20L
	Super (S)	16"	406 mm	LIP-S-H-STD-FW-72W-16L
		18"	457 mm	LIP-S-H-STD-FW-72W-18L
		20"	508 mm	LIP-S-H-STD-FW-72W-20L
	Extreme (E)	16"	406 mm	LIP-E-H-STD-FW-72W-16L
		18"	457 mm	LIP-E-H-STD-FW-72W-18L
		20"	508 mm	LIP-E-H-STD-FW-72W-20L
	Ultra (U)	16"	406 mm	LIP-U-H-STD-FW-72W-16L
		18"	457 mm	LIP-U-H-STD-FW-72W-18L
		20"	508 mm	LIP-U-H-STD-FW-72W-20L

DECK WIDTH	CAPACITY	LENGTH		PART NO.
7'	Workhorse (W)	16"	406 mm	LIP-W-H-STD-TP-83W-16L
		18"	457 mm	LIP-W-H-STD-TP-83W-18L
		20"	508 mm	LIP-W-H-STD-TP-83W-20L
	Heavy (H)	16"	406 mm	LIP-H-H-STD-TP-83W-16L
		18"	457 mm	LIP-H-H-STD-TP-83W-18L
		20"	508 mm	LIP-H-H-STD-TP-83W-20L
	Super (S)	16"	406 mm	LIP-S-H-STD-TP-83W-16L
		18"	457 mm	LIP-S-H-STD-TP-83W-18L
		20"	508 mm	LIP-S-H-STD-TP-83W-20L
	Extreme (E)	16"	406 mm	LIP-E-H-STD-TP-83W-16L
		18"	457 mm	LIP-E-H-STD-TP-83W-18L
		20"	508 mm	LIP-E-H-STD-TP-83W-20L
	Ultra (U)	16"	406 mm	LIP-U-H-STD-TP-83W-16L
		18"	457 mm	LIP-U-H-STD-TP-83W-18L
		20"	508 mm	LIP-U-H-STD-TP-83W-20L

6' 6"	Workhorse (W)	16"	406 mm	LIP-W-H-STD-FW-78W-16L
		18"	457 mm	LIP-W-H-STD-FW-78W-18L
		20"	508 mm	LIP-W-H-STD-FW-78W-20L
	Heavy (H)	16"	406 mm	LIP-H-H-STD-FW-78W-16L
		18"	457 mm	LIP-H-H-STD-FW-78W-18L
		20"	508 mm	LIP-H-H-STD-FW-78W-20L
	Super (S)	16"	406 mm	LIP-S-H-STD-FW-78W-16L
		18"	457 mm	LIP-S-H-STD-FW-78W-18L
		20"	508 mm	LIP-S-H-STD-FW-78W-20L
	Extreme (E)	16"	406 mm	LIP-E-H-STD-FW-78W-16L
		18"	457 mm	LIP-E-H-STD-FW-78W-18L
		20"	508 mm	LIP-E-H-STD-FW-78W-20L
	Ultra (U)	16"	406 mm	LIP-U-H-STD-FW-78W-16L
		18"	457 mm	LIP-U-H-STD-FW-78W-18L
		20"	508 mm	LIP-U-H-STD-FW-78W-20L

**10.7 LIP - DOCK LIP BARRIER**

By size and capacity

DECK WIDTH	CAPACITY	LENGTH		PART NO.
6'	Workhorse (W)	16"	406 mm	LIP-W-H-DLB-FW-72W-16L
		18"	457 mm	LIP-W-H-DLB-FW-72W-18L
		20"	508 mm	LIP-W-H-DLB-FW-72W-20L
	Heavy (H)	16"	406 mm	LIP-H-H-DLB-FW-72W-16L
		18"	457 mm	LIP-H-H-DLB-FW-72W-18L
		20"	508 mm	LIP-H-H-DLB-FW-72W-20L
	Super (S)	16"	406 mm	LIP-S-H-DLB-FW-72W-16L
		18"	457 mm	LIP-S-H-DLB-FW-72W-18L
		20"	508 mm	LIP-S-H-DLB-FW-72W-20L
	Extreme (E)	16"	406 mm	LIP-E-H-DLB-FW-72W-16L
		18"	457 mm	LIP-E-H-DLB-FW-72W-18L
		20"	508 mm	LIP-E-H-DLB-FW-72W-20L
	Ultra (U)	16"	406 mm	LIP-U-H-DLB-FW-72W-16L
		18"	457 mm	LIP-U-H-DLB-FW-72W-18L
		20"	508 mm	LIP-U-H-DLB-FW-72W-20L

DECK WIDTH	CAPACITY	LENGTH		PART NO.
7'	Workhorse (W)	16"	406 mm	LIP-W-H-DLB-TP-83W-16L
		18"	457 mm	LIP-W-H-DLB-TP-83W-18L
		20"	508 mm	LIP-W-H-DLB-TP-83W-20L
	Heavy (H)	16"	406 mm	LIP-H-H-DLB-TP-83W-16L
		18"	457 mm	LIP-H-H-DLB-TP-83W-18L
		20"	508 mm	LIP-H-H-DLB-TP-83W-20L
	Super (S)	16"	406 mm	LIP-S-H-DLB-TP-83W-16L
		18"	457 mm	LIP-S-H-DLB-TP-83W-18L
		20"	508 mm	LIP-S-H-DLB-TP-83W-20L
	Extreme (E)	16"	406 mm	LIP-E-H-DLB-TP-83W-16L
		18"	457 mm	LIP-E-H-DLB-TP-83W-18L
		20"	508 mm	LIP-E-H-DLB-TP-83W-20L
	Ultra (U)	16"	406 mm	LIP-U-H-DLB-TP-83W-16L
		18"	457 mm	LIP-U-H-DLB-TP-83W-18L
		20"	508 mm	LIP-U-H-DLB-TP-83W-20L

6' 6"	Workhorse (W)	16"	406 mm	LIP-W-H-DLB-FW-78W-16L
		18"	457 mm	LIP-W-H-DLB-FW-78W-18L
		20"	508 mm	LIP-W-H-DLB-FW-78W-20L
	Heavy (H)	16"	406 mm	LIP-H-H-DLB-FW-78W-16L
		18"	457 mm	LIP-H-H-DLB-FW-78W-18L
		20"	508 mm	LIP-H-H-DLB-FW-78W-20L
	Super (S)	16"	406 mm	LIP-S-H-DLB-FW-78W-16L
		18"	457 mm	LIP-S-H-DLB-FW-78W-18L
		20"	508 mm	LIP-S-H-DLB-FW-78W-20L
	Extreme (E)	16"	406 mm	LIP-E-H-DLB-FW-78W-16L
		18"	457 mm	LIP-E-H-DLB-FW-78W-18L
		20"	508 mm	LIP-E-H-DLB-FW-78W-20L
	Ultra (U)	16"	406 mm	LIP-U-H-DLB-FW-78W-16L
		18"	457 mm	LIP-U-H-DLB-FW-78W-18L
		20"	508 mm	LIP-U-H-DLB-FW-78W-20L

**10.8 FRAME**

By size

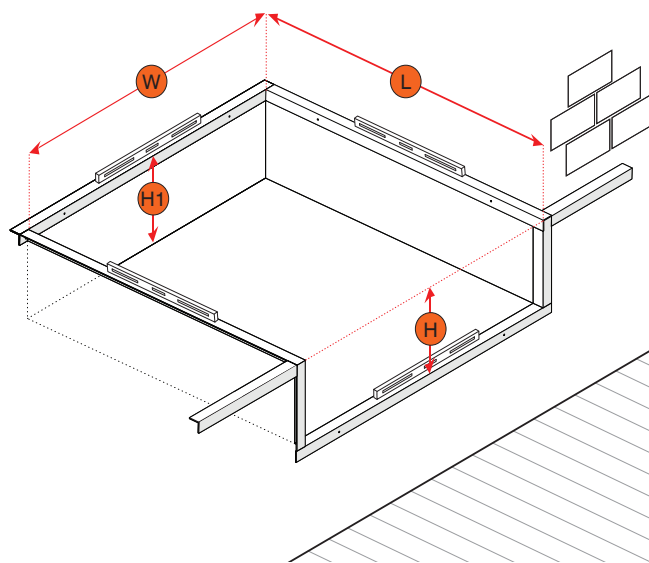
DECK SIZE (NOMINAL)	LOAD CLASS	PART NO.
6' x 6'	Workhorse (W)	FRAME-W-H-72L-63W-20D
	Heavy (H)	FRAME-H-H-72L-63W-20D
	Super (S)	FRAME-S-H-72L-63W-20D
	Extreme (E)	FRAME-E-H-72L-63W-20D
	Ultra (U)	FRAME-U-H-72L-63W-20D
6' x 8'	Workhorse (W)	FRAME-W-H-72L-87W-20D
	Heavy (H)	FRAME-H-H-72L-87W-20D
	Super (S)	FRAME-S-H-72L-87W-20D
	Extreme (E)	FRAME-E-H-72L-87W-20D
	Ultra (U)	FRAME-U-H-72L-87W-20D
6' x 10'	Workhorse (W)	FRAME-W-H-72L-111W-20D
	Heavy (H)	FRAME-H-H-72L-111W-20D
	Super (S)	FRAME-S-H-72L-111W-20D
	Extreme (E)	FRAME-E-H-72L-111W-20D
	Ultra (U)	FRAME-U-H-72L-111W-20D
6' x 12'	Workhorse (W)	FRAME-W-H-72L-135W-20D
	Heavy (H)	FRAME-H-H-72L-135W-20D
	Super (S)	FRAME-S-H-72L-135W-20D
	Extreme (E)	FRAME-E-H-72L-135W-20D
	Ultra (U)	FRAME-U-H-72L-135W-20D
6' x 14'	Workhorse (W)	FRAME-W-H-72L-159W-20D
	Heavy (H)	FRAME-H-H-72L-159W-20D
	Super (S)	FRAME-S-H-72L-159W-20D
	Extreme (E)	FRAME-E-H-72L-159W-20D
	Ultra (U)	FRAME-U-H-72L-159W-20D
6' 6" x 6'	Workhorse (W)	FRAME-W-H-78L-63W-20D
	Heavy (H)	FRAME-H-H-78L-63W-20D
	Super (S)	FRAME-S-H-78L-63W-20D
	Extreme (E)	FRAME-E-H-78L-63W-20D
	Ultra (U)	FRAME-U-H-78L-63W-20D
6' 6" x 8'	Workhorse (W)	FRAME-W-H-78L-87W-20D
	Heavy (H)	FRAME-H-H-78L-87W-20D
	Super (S)	FRAME-S-H-78L-87W-20D
	Extreme (E)	FRAME-E-H-78L-87W-20D
	Ultra (U)	FRAME-U-H-78L-87W-20D
6' 6" x 10'	Workhorse (W)	FRAME-W-H-78L-111W-20D
	Heavy (H)	FRAME-H-H-78L-111W-20D
	Super (S)	FRAME-S-H-78L-111W-20D
	Extreme (E)	FRAME-E-H-78L-111W-20D
	Ultra (U)	FRAME-U-H-78L-111W-20D

DECK SIZE (NOMINAL)	LOAD CLASS	PART NO.
6' 6" x 12'	Workhorse (W)	FRAME-W-H-78L-135W-20D
	Heavy (H)	FRAME-H-H-78L-135W-20D
	Super (S)	FRAME-S-H-78L-135W-20D
	Extreme (E)	FRAME-E-H-78L-135W-20D
	Ultra (U)	FRAME-U-H-78L-135W-20D
6' 6" x 14'	Workhorse (W)	FRAME-W-H-78L-159W-20D
	Heavy (H)	FRAME-H-H-78L-159W-20D
	Super (S)	FRAME-S-H-78L-159W-20D
	Extreme (E)	FRAME-E-H-78L-159W-20D
	Ultra (U)	FRAME-U-H-78L-159W-20D
7' x 6'	Workhorse (W)	FRAME-W-H-83L-63W-20D
	Heavy (H)	FRAME-H-H-83L-63W-20D
	Super (S)	FRAME-S-H-83L-63W-20D
	Extreme (E)	FRAME-E-H-83L-63W-20D
	Ultra (U)	FRAME-U-H-83L-63W-20D
7' x 8'	Workhorse (W)	FRAME-W-H-83L-87W-20D
	Heavy (H)	FRAME-H-H-83L-87W-20D
	Super (S)	FRAME-S-H-83L-87W-20D
	Extreme (E)	FRAME-E-H-83L-87W-20D
	Ultra (U)	FRAME-U-H-83L-87W-20D
7' x 10'	Workhorse (W)	FRAME-W-H-83L-111W-20D
	Heavy (H)	FRAME-H-H-83L-111W-20D
	Super (S)	FRAME-S-H-83L-111W-20D
	Extreme (E)	FRAME-E-H-83L-111W-20D
	Ultra (U)	FRAME-U-H-83L-111W-20D
7' x 12'	Workhorse (W)	FRAME-W-H-83L-135W-20D
	Heavy (H)	FRAME-H-H-83L-135W-20D
	Super (S)	FRAME-S-H-83L-135W-20D
	Extreme (E)	FRAME-E-H-83L-135W-20D
	Ultra (U)	FRAME-U-H-83L-135W-20D
7' x 14'	Workhorse (W)	FRAME-W-H-83L-159W-20D
	Heavy (H)	FRAME-H-H-83L-159W-20D
	Super (S)	FRAME-S-H-83L-159W-20D
	Extreme (E)	FRAME-E-H-83L-159W-20D
	Ultra (U)	FRAME-U-H-83L-159W-20D

**10.9 STANDARD PIT DIMENSIONS**

NOMINAL SIZE		PIT WIDTH (W)		PIT LENGTH (L)	
		in	mm	in	mm
6' x 6'	1829 x 1829mm	74	1880	63	1600
6' x 8'	1829 x 2438mm			87	2210
6' x 10'	1829 x 3048mm			111	2819
6' 6" x 6'	1981 x 1829mm	80	2032	63	1600
6' 6" x 8'	1981 x 2438mm			87	2210
6' 6" x 10'	1981 x 3048mm			111	2819
7' x 6'	2133 x 1829mm	85	2159	63	1600
7' x 8'	2133 x 2438mm			87	2210
7' x 10'	2133 x 3048mm			111	2819

<b>Lip Length:</b>	16", 18", 20" (406, 457, 508 mm)	
<b>Standard Frame Depth:</b>	<b>Front:</b> 19.5" (495 mm)	<b>Rear:</b> 19" (483 mm)
<b>Standard Pit Depth:</b>	<b>Front (H):</b> 20" (508 mm)	<b>Rear (H1):</b> 19.5" (495 mm)

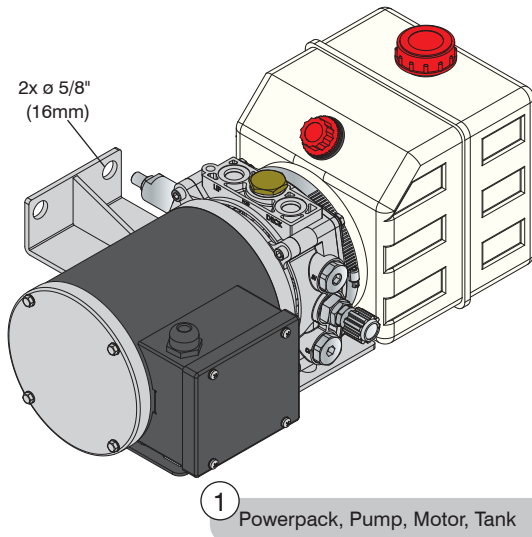


**Alternatives available:**

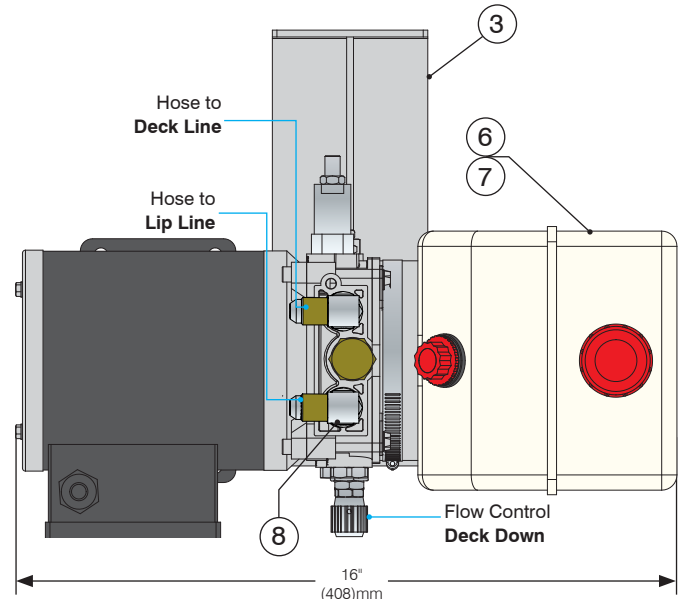
- Longer filler
- Deeper pits
- Other options – consult factory



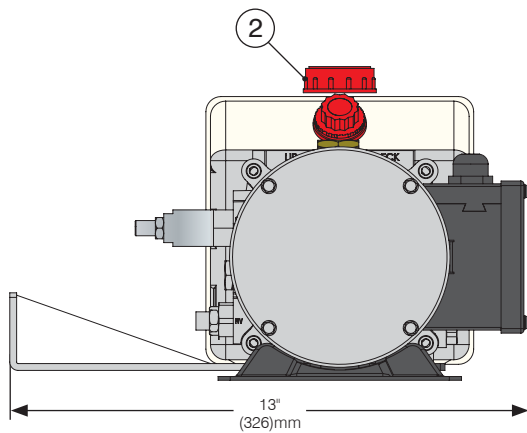
**11.0 POWERPACK PART IDENTIFICATION**  
(PIT OR REMOTE)



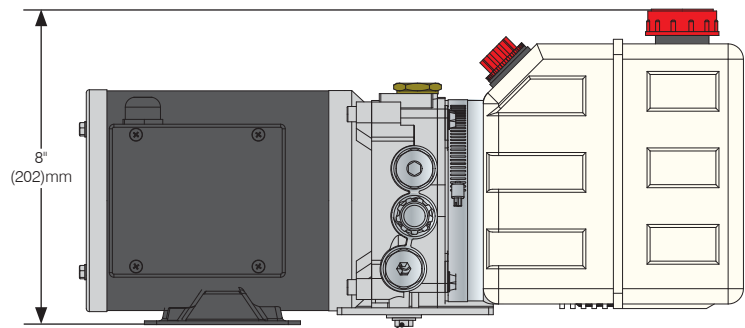
1 Powerpack, Pump, Motor, Tank



Top View



Front View



Side View (Tank End)

POWERPACK ASSEMBLY # 23-014530				
ITEM	QTY	PART NO.	DESCRIPTION	ITEM#1
1	1	23-014530	POWER PACK 1PH-115V-230V-60HZ	033-403-1K
		23-014530-1	POWER PACK 3PH-230/460V-60HZ	033-404-1K
		23-014530-2	POWER PACK 3PH-575V-60HZ	033-405-1K

POWERPACK ASSEMBLY # 23-014530			
ITEM	QTY	PART NO.	DESCRIPTION
2	1	080-527	Powerpack Tank Breather Cap
3	1	23-014537	Bracket
4	2	010-170	Hex Head Cap Screws M10x20
5	2	012-263	Flat Washers (U.S.) 7/16"
6	2	-	Hydraulic Oil
7	1	080-510	Tank (Reservoir Oil) Kit
8	2	034-585	Elbow Fitting #6 SAE 37° / #6 O-Ring

**12.0 DOCK LEVELER TROUBLESHOOTING**



**WARNING**

Do not attempt to install, make repairs or adjustments. Only a trained and authorized service technician should perform the installation process. Contact your local dealer or distributor for assistance.

PROBLEM	PROBLEM CAUSE
<p>Deck will not raise when touch button is operated. Motor DOES start and run.</p>	<ol style="list-style-type: none"> <li>1. Foreign materials may be lodged between the side of the deck and the pit wall.</li> <li>2. The bumpers may be damaged or missing, allowing the truck to contact and hold the lip.</li> <li>3. Equipment or goods may be parked on the dock leveler.</li> <li>4. Low hydraulic oil in power unit.</li> <li>5. Incorrect motor rotation (three phase power supply only).</li> <li>6. Relief valve is bypassing</li> <li>7. Pilot operated to close Check Valve (9) will not close.</li> </ol>
<p>Deck will not begin to raise immediately when motor begins to run. Usually occurs only after the deck cylinder hose has been replaced with a new hose that was not pre-filled with oil.</p>	<ol style="list-style-type: none"> <li>1. Air is trapped in the deck lifting cylinder. Bleed.</li> </ol>
<p>Deck will not raise when touch button is operated. Motor does not attempt to run, no sound is heard from motor/powerpack/control box</p>	<ol style="list-style-type: none"> <li>1. No power supply to control box.</li> <li>2. Thermal overload tripped open.</li> <li>3. Faulty control box component (e.g. fuse, touch button, contactor, transformer)</li> </ol>
<p>Deck will not raise when touch button is operated. Motor attempts to run, but power supply breaker switch trips to off position</p>	<ol style="list-style-type: none"> <li>1. Power supply circuit is overloaded by other equipment or components being used on a branch circuit controlled by the same breaker switch. The power supply line circuit must be upgraded to meet the requirements of the power unit</li> </ol>
<p>Lip does not extend fully. Oil level in reservoir is not low.</p>	<ol style="list-style-type: none"> <li>1. Lip plate bent causing hinge to bind.</li> <li>2. Foreign material lodged in the lip hinge area.</li> <li>3. Relief valve is bypassing.</li> </ol>
<p>Lip lowers slowly in normal temperatures and very slowly in extremely cold weather. Deck lowering speed is correct.</p>	<ol style="list-style-type: none"> <li>1. A valve adjustment will not correct this problem. Opening the needle valve will cause the deck to lower too quickly, which will in turn cause the fail-safe velocity fuse to lock.</li> <li>2. The lip lowers by gravity and must pivot freely on its full length hinge.</li> </ol>
<p>Deck lowering speed is too slow or too fast.</p>	<ol style="list-style-type: none"> <li>1. Lowering speed adjustment required</li> </ol>

**13.0 DOCK LEVELER TROUBLESHOOTING CONT'D.**



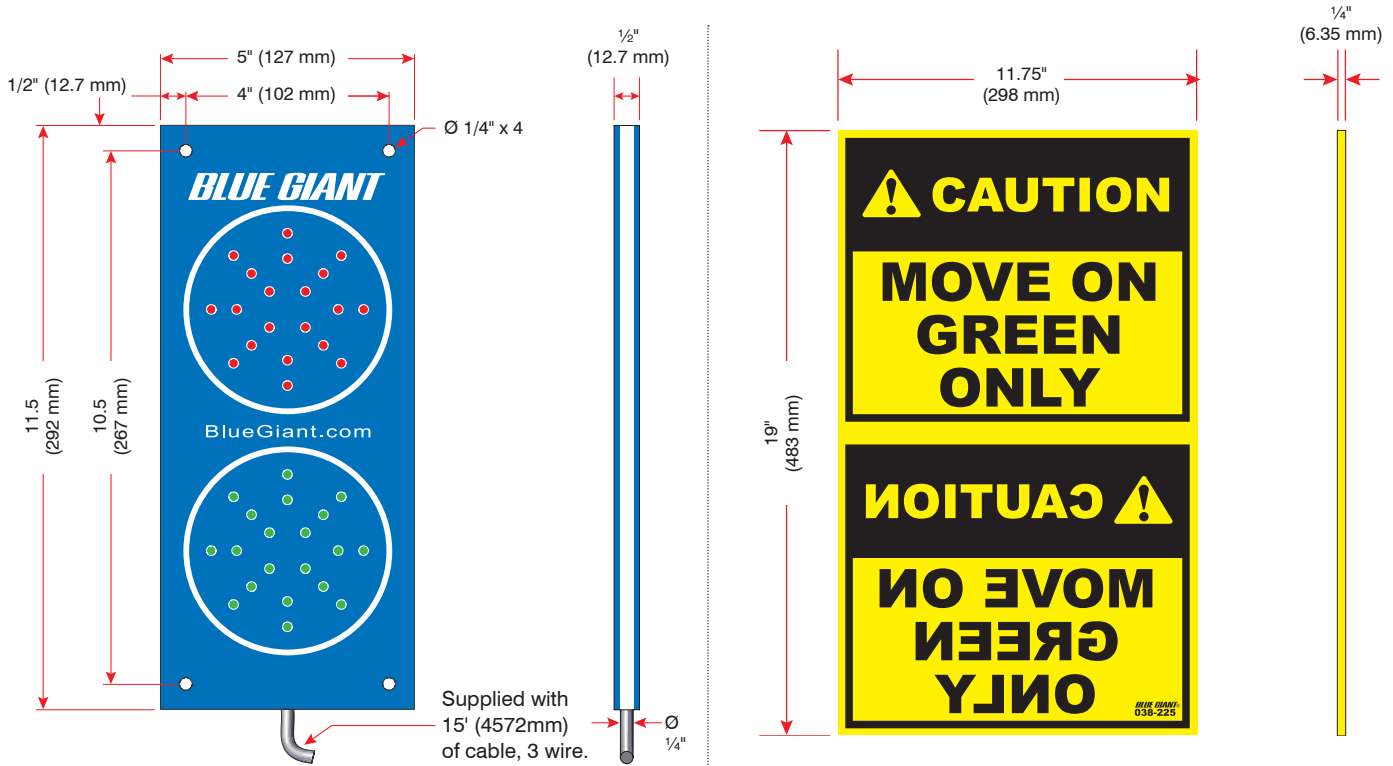
**WARNING**

Do not attempt to install, make repairs or adjustments. Only a trained and authorized service technician should perform the installation process. Contact your local dealer or distributor for assistance.

PROBLEM	PROBLEM CAUSE
Deck raises partially and stops. Motor continues to run and power unit makes more noise than normal	1. Oil level in reservoir is low.
Deck raises more slowly than normal and level in reservoir is normal	1. Deck or damaged skirts dragging on side of pit. 2. Pilot operated to close Check Valve (9) will not close. 3. Faulty powerpack.
Deck will not lower from fully raised position. Lip does lower	1. The fall-safe velocity fuse located at the bottom of the deck cylinder is in the locked or closed position.
Deck will not lower from fully raised, lip extended position. Lip does lower.	1. The fall-safe velocity fuse located at the bottom of the deck cylinder is in the locked or closed position.

**15.0 OPTIONAL EXTERIOR TRAFFIC LIGHT / MIRROR IMAGE SIGN**

Slim-build LED traffic lights and mirror image drive warning sign improve loading dock safety.



Exterior driver traffic light, part # 032-461.

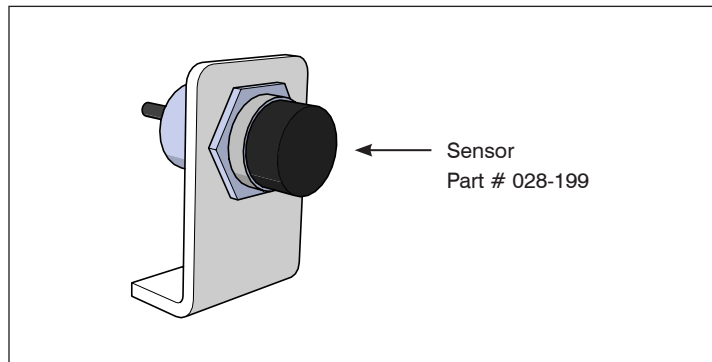
Exterior driver warning sign, part # 038-225.  
(French 038-225F / Spanish 038-225S / Portuguese 038-225P)

NOTICE
Mount to a flat surface. <b>DO NOT</b> deform light housing with irregular wall surface.

NOTICE
Mount to a flat surface. <b>DO NOT</b> deform sign or drill mounting holes too close to edges.

**15.1 OPTIONAL HOME INTERLOCK SENSOR**

- Ties sequence of restraint to dock leveler operation
- Loading dock safety is improved with accurate operation sequence
- Interior traffic light and restraint release operation relies on interlock capability
- Mounted at parked position of any leveler

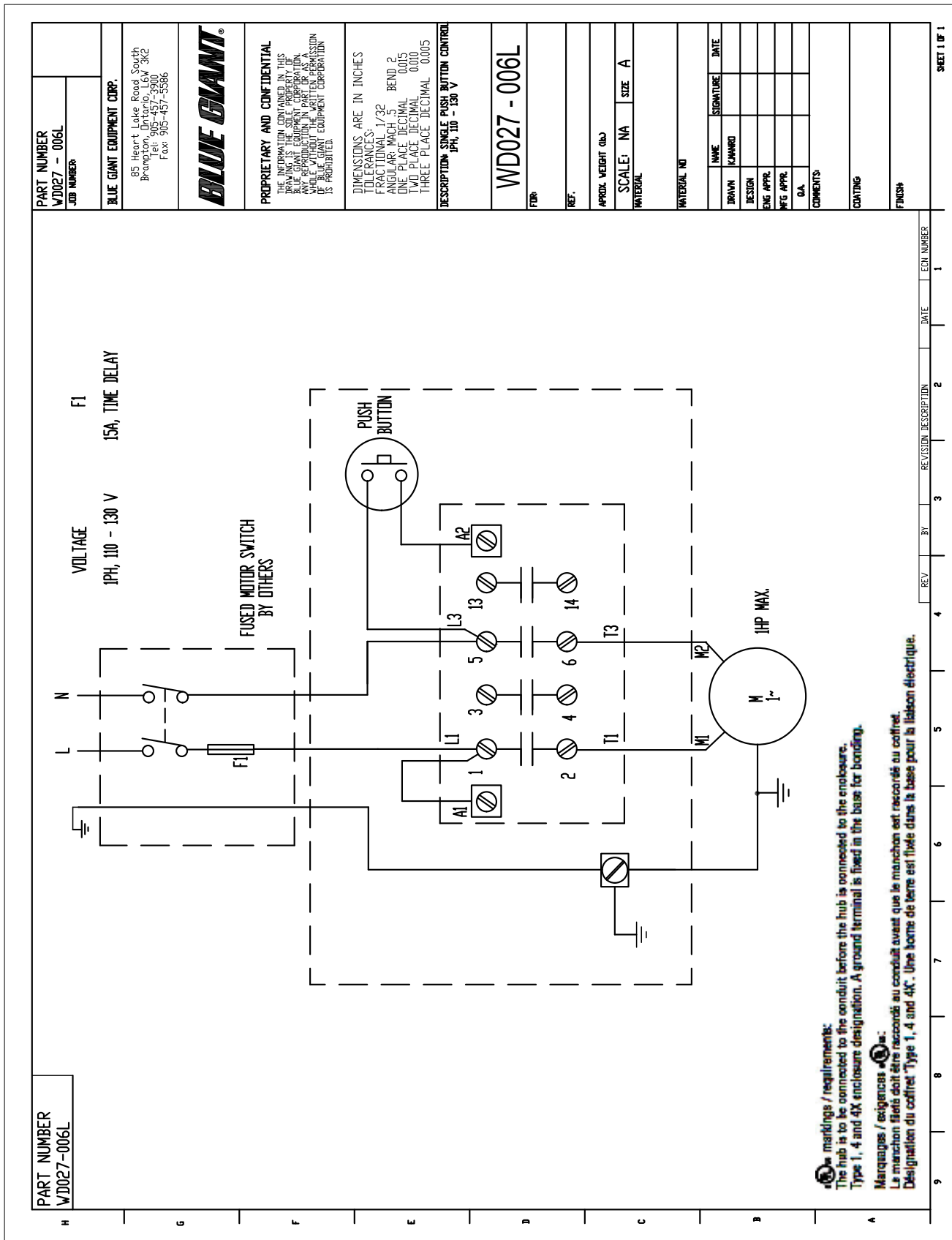


Home interlock sensor (home/lip sensor), part # 26-011290.

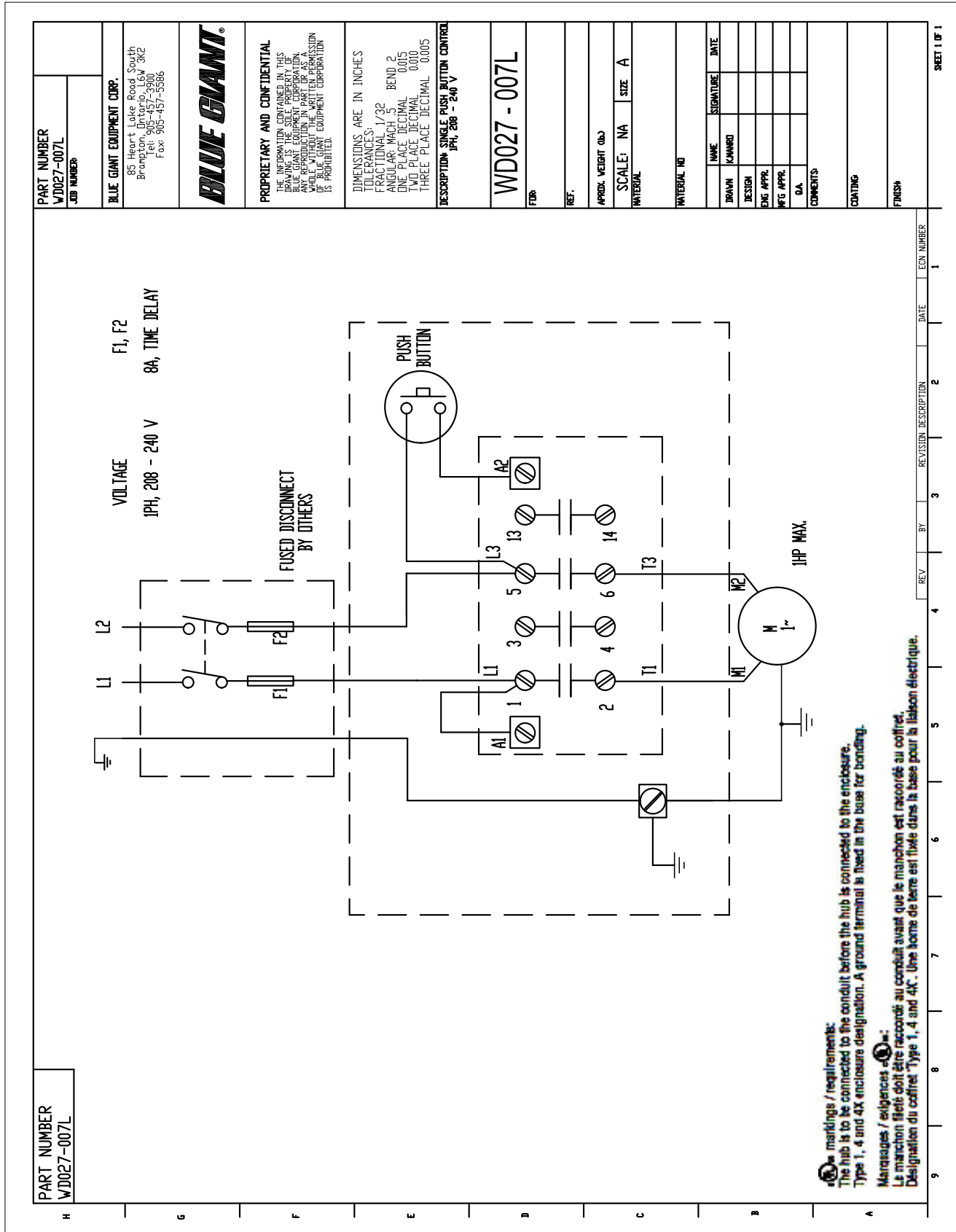
**16.0 WIRING DIAGRAMS**

NOTICE
The following wiring diagrams are sample configurations only. Wiring diagrams specific to your needs will be provided inside the control panel and/or as part of your submittal package.

16.1 SP1 WIRING DIAGRAM—110-130V SINGLE PHASE



16.2 SP1 WIRING DIAGRAM—208-240V SINGLE PHASE



**NOTES**

# WARRANTY

## BLUE GIANT STANDARD WARRANTY

**Blue Giant** warrants its products to be free from defects in design, materials and workmanship for a period of 365 days from time of installation or sixty (60) days from the date of shipment, whichever comes first. All claims of warranty must be made within 30 days of when the defect is or can be detected, with reasonable care and no more than 30 days after the warranty period has expired. In order to be entitled to the benefits of this warranty the products must have been properly installed, maintained and operated by trained personnel in compliance with the manufacturer's recommendations with regards to rated capacities and/or design specific parameters, and not otherwise abused. Periodic adjustment, lubrication and maintenance are the sole responsibility of the end user.

This warranty is in lieu of any other warranties, either expressed or implied, including but not limited to any implied warranty of merchantability or fitness for a particular purpose. There are no warranties which extend beyond the description contained herein.

Non-standard warranties, if any, must be specified in writing by Blue Giant.

Blue Giant shall remedy any defects covered under this warranty by replacing or repairing, any defective equipment or parts while incurring all reasonable expenses for parts, labor and freight and shall be the exclusive remedy for all claims whether based on contract, negligence or strict liability.

## LIMITATION OF LIABILITY

**Blue Giant** does not assume responsibility or liability for loss of use of any equipment or incidental, consequential or special damages, or for loss of profit or damage to trade or business which results from the equipment.

**BLUE GIANT**  
BLUE GIANT EQUIPMENT CORPORATION

**Corporate** 410 Admiral Blvd  
Mississauga, ON, Canada L5T 2N6  
t 905.457.3900 f 905.457.2313

**USA** 6350 Burnt Poplar Road  
Greensboro, NC 27409  
[www.bluegiant.com](http://www.bluegiant.com)